



HVAC ACCESSORIES

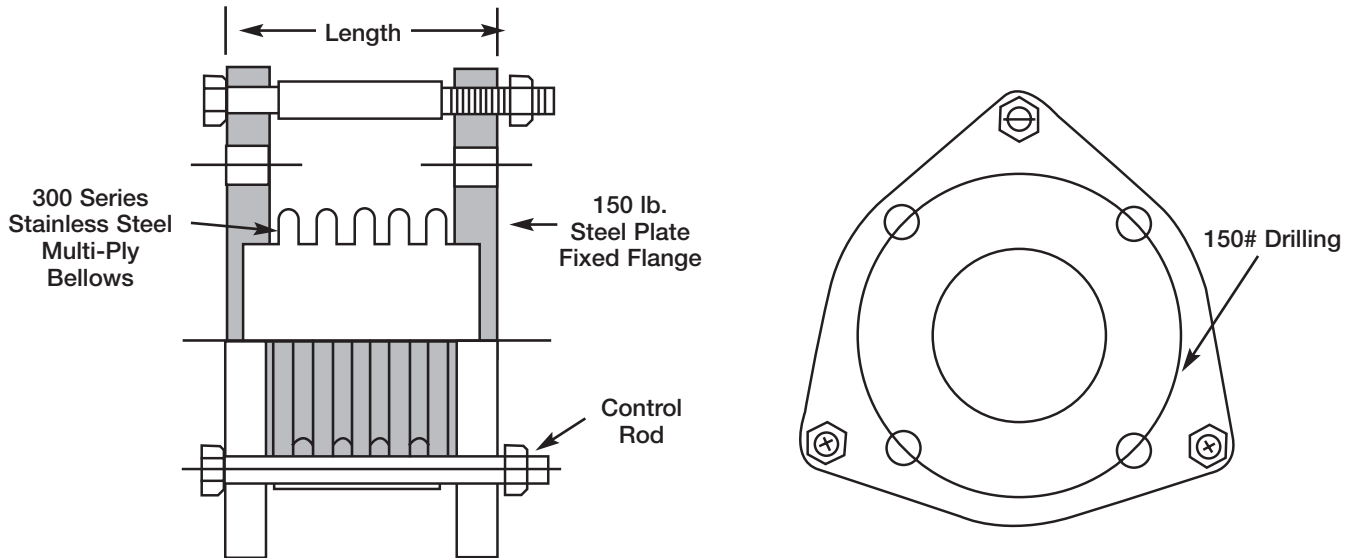
MINNESOTA

FLEXIBLE

CORPORATION

803 Transfer Road · St. Paul, MN 55114 · Phone 651.645.7522 · Fax 651.645.8259 · Toll Free 800.351.9069

PROJECT	
CUSTOMER	
ENGINEER	
REPRESENTATIVE	
DRAWING #	



Piping system must be properly anchored and guided for expansion joints to operate properly.

Pipe Size	Overall Length	Live Length	Normal Operating Pressure	Maximum Operating Temperature	Movements		
					Comp.	Extension	Lateral
2"	6"	4.75"	225 psi	750°F	1"	.375"	.125"
2.5"	6"	4.75"	225 psi	750°F	1"	.375"	.125"
3"	6"	4.75"	225 psi	750°F	1"	.375"	.125"
4"	6"	4.5"	225 psi	750°F	1"	.375"	.125"
5"	6"	4.5"	225 psi	750°F	1"	.375"	.125"
6"	6"	4.5"	225 psi	750°F	1"	.375"	.125"
8"	6"	4"	225 psi	750°F	1"	.375"	.125"
10"	8"	6"	225 psi	750°F	1"	.375"	.125"
12"	8"	6"	225 psi	750°F	1"	.375"	.125"

MFCBPC-R - BELLOWS PUMP CONNECTOR