



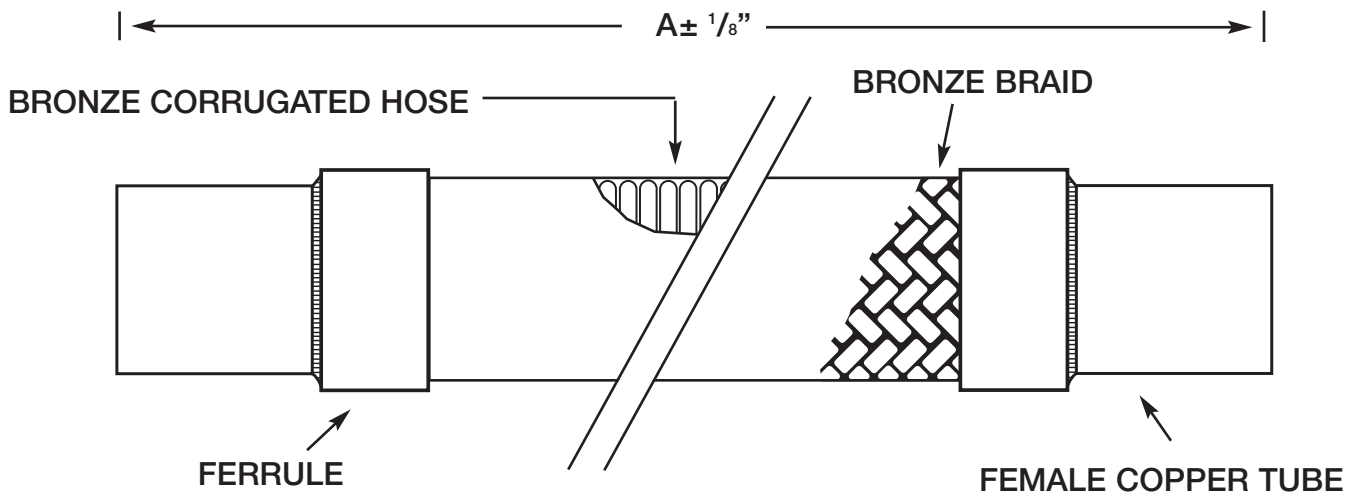
HVAC ACCESSORIES

MINNESOTA

FLEXIBLE CORPORATION

803 Transfer Road · St. Paul, MN 55114 · Phone 651.645.7522 · Fax 651.645.8259 · Toll Free 800.351.9069

PROJECT	
CUSTOMER	
ENGINEER	
REPRESENTATIVE	
DRAWING #	



Qty.	I.D. (In.)	To Fit Copper Tube		A (In.)	Pressure (PSI) 70°F	Weight (lb)	Notes
		Nom. Size (In.)	Actual O.D. (In.)				
	.50	.50	.625	9.75	500	.60	
	.75	.75	.875	11.50	450	.80	
	1.00	1.00	1.125	13.00	320	1.25	
	1.25	1.25	1.375	14.75	280	1.50	
	1.50	1.50	1.625	17.00	275	2.25	
	2.00	2.00	2.125	20.00	205	3.0	

MFCBRZ - COPPER SWEAT X COPPER SWEAT



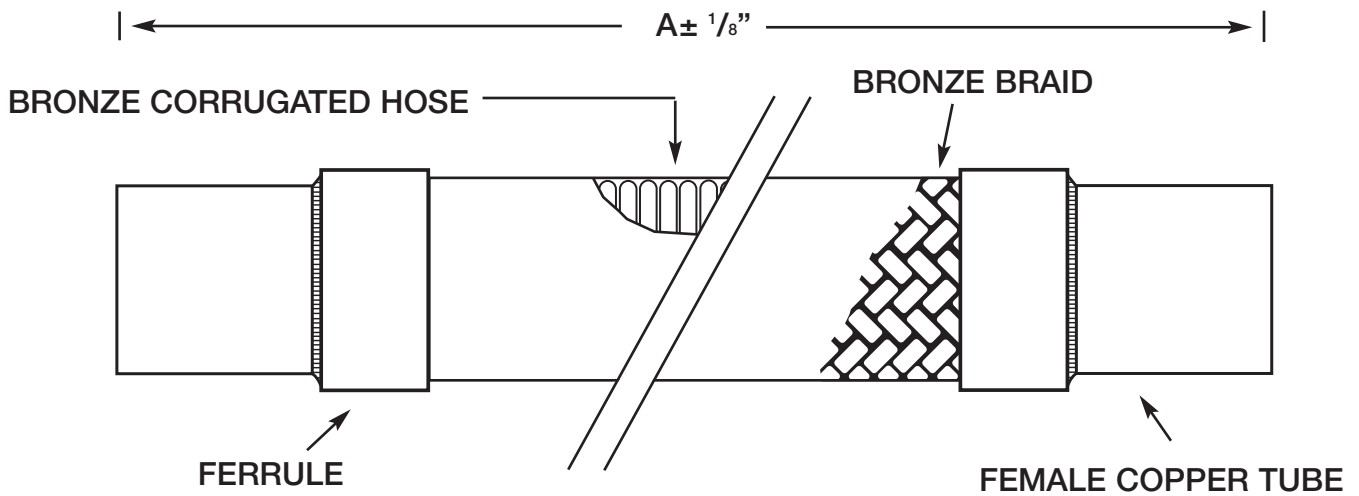
HVAC ACCESSORIES

MINNESOTA

FLEXIBLE CORPORATION

803 Transfer Road · St. Paul, MN 55114 · Phone 651.645.7522 · Fax 651.645.8259 · Toll Free 800.351.9069

PROJECT	
CUSTOMER	
ENGINEER	
REPRESENTATIVE	
DRAWING #	



Qty.	Nom. Hose I.D. (In.)	To Fit Copper Tube		Dimensions	*Maximum Working Pressure (PSI) @ 70°F	Notes
		Nom. Size (In.)	Actual O.D. (In.)	A (In.)		
	.50	.50	.625		500	
	.75	.75	.875		450	
	1.00	1.00	1.125		320	
	1.25	1.25	1.375		280	
	1.50	1.50	1.625		275	
	2.00	2.00	2.125		205	

MFCBRZ - COPPER SWEAT X COPPER SWEAT