

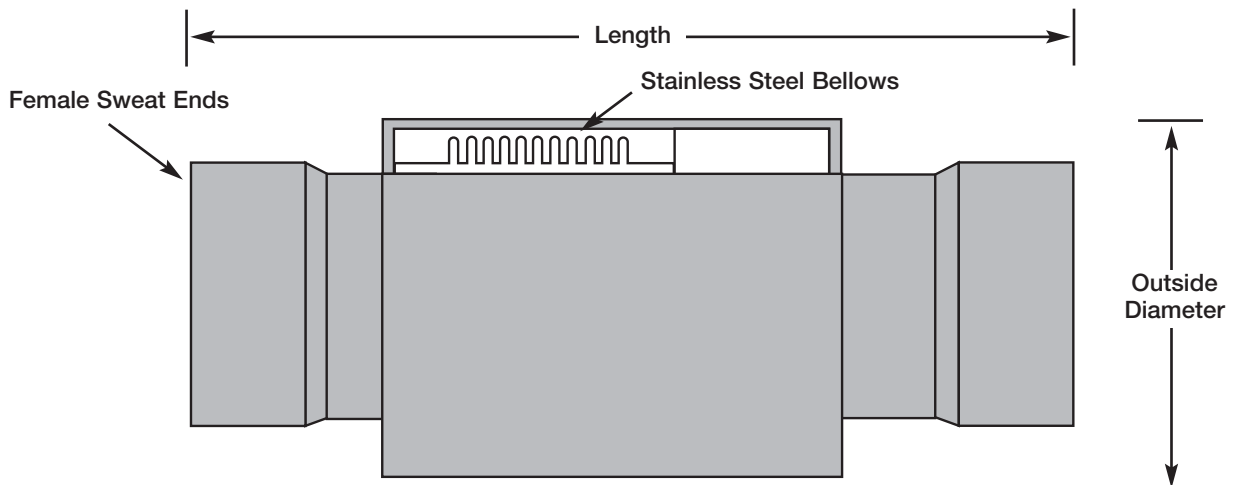


HVAC ACCESSORIES

MINNESOTA FLEXIBLE CORPORATION

803 Transfer Road · St. Paul, MN 55114 · Phone 651.645.7522 · Fax 651.645.8259 · Toll Free 800.351.9069

PROJECT	
CUSTOMER	
ENGINEER	
REPRESENTATIVE	
DRAWING #	



For proper operation, all piping must be properly anchored and guided.

Size	Axial Movement		Pressure Rating		Overall Length	Outside Diameter	Weight (LBS)
	Comp.	Ext.	Max. (PSI)	Test			
.75	1.75	0.25	200	300	12.5	2.375	2.2
1	1.75	0.25	200	300	12.5	2.375	2.4
1.25	1.75	0.25	200	300	13.8125	2.75	3.1
1.5	1.75	0.25	200	300	13.8125	2.75	3.3
2	1.75	0.25	200	300	13.8125	3.75	5.5
2.5	1.75	0.25	200	300	14.4375	4.375	7.5
3	1.75	0.25	200	300	14.4375	5	10

COMPENSATOR - FEMALE SWEAT - FEMALE SWEAT