

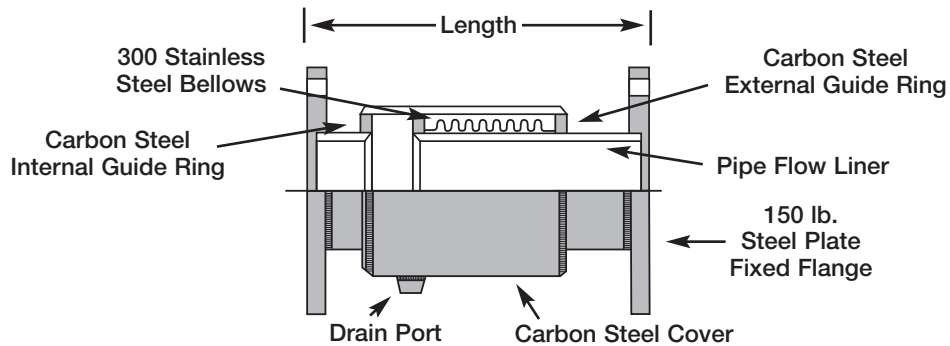


HVAC ACCESSORIES

MINNESOTA FLEXIBLE CORPORATION

803 Transfer Road · St. Paul, MN 55114 · Phone 651.645.7522 · Fax 651.645.8259 · Toll Free 800.351.9069

PROJECT	
CUSTOMER	
ENGINEER	
REPRESENTATIVE	
DRAWING #	



Pipe Size	Overall Length XP-150-FL	Overall Length XP-300-FL	Compression (Inch)	Extension (Inch)	Weight XP-150-FL	Weight XP-300-FL
1.00	22.50	23.00	4.000	.750	23.00	26.00
	30.50	31.00	6.000	1.120	30.00	34.00
	36.50	37.00	8.000	1.500	35.00	39.00
1.25	22.75	23.25	4.000	.750	26.00	33.00
	30.75	31.25	6.000	1.120	34.00	41.00
	36.75	37.25	8.000	1.501	39.00	46.00
1.50	22.75	23.25	4.000	.750	26.00	31.00
	30.75	31.25	6.000	1.120	35.00	41.00
	36.75	37.25	8.000	1.502	39.00	48.00
2.00	25.50	25.75	4.000	.750	44.00	49.00
	34.50	34.75	6.000	1.120	56.00	63.00
	41.50	41.75	8.000	1.503	65.00	72.00
2.50	25.50	25.75	4.000	.750	51.00	56.00
	34.50	34.75	6.000	1.120	65.00	73.00
	41.50	41.75	8.000	1.504	75.00	84.00
3.00	24.50	24.75	4.000	.750	63.00	75.00
	31.00	31.25	6.000	1.120	74.00	87.00
	39.50	39.75	8.000	1.505	91.00	106.00
4.00	25.75	25.75	4.000	.750	99.00	121.00
	32.50	32.50	6.000	1.120	117.00	141.00
	41.25	41.25	8.000	1.506	144.00	170.00
5.00	24.00	24.50	4.000	.750	128.00	158.00
	30.00	30.75	6.000	1.120	149.00	181.00
	36.25	36.75	8.000	1.507	171.00	203.00
6.00	24.00	25.25	4.000	.750	144.00	190.00
	30.25	31.25	6.000	1.120	167.00	214.00
	36.25	37.50	8.000	1.508	191.00	239.00
8.00	25.25	26.75	4.000	.750	228.00	295.00
	32.00	33.50	6.000	1.120	265.00	336.00
	38.50	40.00	8.000	1.509	302.00	377.00
10.00	26.75	28.50	4.000	1.000	306.00	396.00
	34.00	35.75	6.000	1.500	358.00	452.00
	43.25	44.75	8.000	2.000	434.00	534.00
12.00	28.00	30.50	4.000	1.000	400.00	540.00
	35.75	38.25	6.000	1.500	467.00	610.00
	45.25	47.75	8.000	2.000	562.00	712.00

EXTERNALLY PRESSURIZED EXPANSION JOINTS - FLANGED