



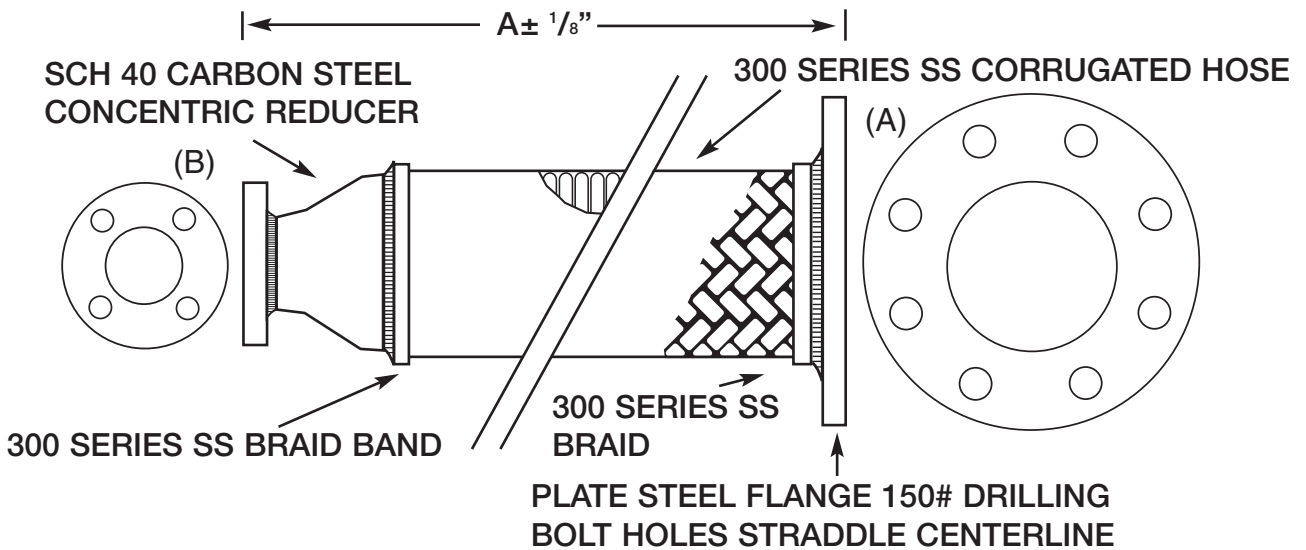
HVAC ACCESSORIES

MINNESOTA

FLEXIBLE CORPORATION

803 Transfer Road ▶ St. Paul, MN 55114 ▶ Phone 651.645.7522 ▶ Fax 651.645.8259 ▶ Toll Free 800.351.9069

PROJECT	
CUSTOMER	
ENGINEER	
REPRESENTATIVE	
DRAWING #	



Model No.	Fitting (A)	Fitting (B)	O.A.L.	Live Length	Max W.P. @ 70° F*	Max Test*	Ship Wt. (lb)
B1210	12"	10"	22"	10"	161	241	130
B108	10"	8"	21"	10"	230	344	92
B106	10"	6"	20 ³ / ₄ "	10"	230	344	86
B86	8"	6"	19 ³ / ₄ "	10"	234	350	66
B85	8"	5"	19 ³ / ₄ "	10"	234	350	56
B84	8"	4"	19 ³ / ₈ "	10"	234	350	50
B65	6"	5"	19"	10"	133	199	41
B64	6"	4"	18 ⁷ / ₈ "	10"	133	199	36
B63	6"	3"	18 ⁷ / ₈ "	10"	133	199	34
B54	5"	4"	18 ³ / ₈ "	10"	191	286	30
B53	5"	3"	18 ³ / ₈ "	10"	191	286	28
B52	5"	2"	18 ³ / ₈ "	10"	191	286	26
B43	4"	3"	17 ¹ / ₄ "	10"	232	348	24
B42 ¹ / ₂	4"	2 ¹ / ₂ "	17 ¹ / ₄ "	10"	232	348	22
B42	4"	2"	17 ¹ / ₄ "	10"	232	348	20
B32 ¹ / ₂	3"	2 ¹ / ₂ "	16 ³ / ₄ "	10"	316	474	10
B32	3"	2"	16 ³ / ₄ "	10"	316	474	9
B2 ¹ / ₂	2 ¹ / ₂ "	2"	16 ³ / ₄ "	10"	387	581	9

FLEXIDUCER - FLANGE X FLANGE

* Pressures listed have been reduced 20% to account for method of attachment