



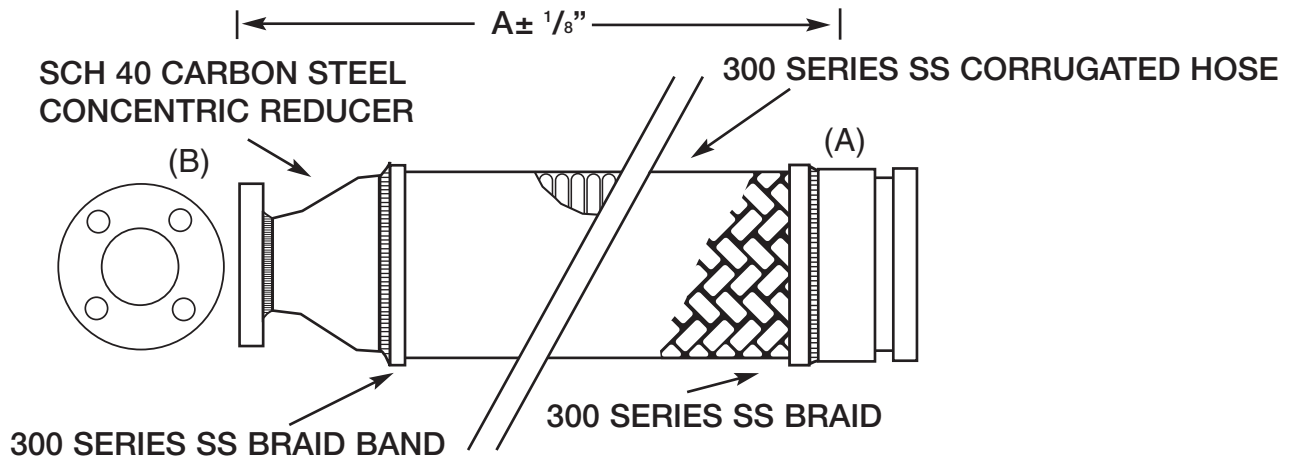
HVAC ACCESSORIES

MINNESOTA

FLEXIBLE CORPORATION

803 Transfer Road ▶ St. Paul, MN 55114 ▶ Phone 651.645.7522 ▶ Fax 651.645.8259 ▶ Toll Free 800.351.9069

PROJECT	
CUSTOMER	
ENGINEER	
REPRESENTATIVE	
DRAWING #	



Model No.	Fitting (A)	Fitting (B)	O.A.L.	Live Length	Max W.P. @ 70° F*	Max Test*	Ship Wt. (lb)
B1210	12"	10"	26"	10"	161	241	130
B108	10"	8"	25"	10"	230	344	92
B106	10"	6"	24.75"	10"	230	344	86
B86	8"	6"	23.75"	10"	234	350	66
B85	8"	5"	23.75"	10"	234	350	56
B84	8"	4"	23.75"	10"	234	350	50
B65	6"	5"	22"	10"	133	199	41
B64	6"	4"	22"	10"	133	199	36
B63	6"	3"	22"	10"	133	199	34
B54	5"	4"	22"	10"	191	286	30
B53	5"	3"	22"	10"	191	286	28
B52	5"	2"	22"	10"	191	286	26
B43	4"	3"	20.25"	10"	232	348	24
B42½	4"	2½"	20.25"	10"	232	348	22
B42	4"	2"	20.25"	10"	232	348	20
B32½	3"	2½"	19.75"	10"	316	474	10
B32	3"	2"	19.75"	10"	316	474	9
B2½/2	2½"	2"	19.75"	10"	387	581	9

FLEXIDUCER - FLANGE X GROOVE

* Pressures listed have been reduced 20% to account for method of attachment