

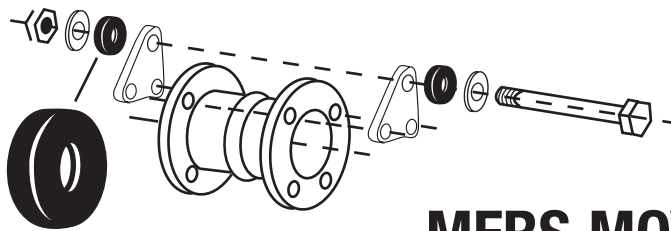
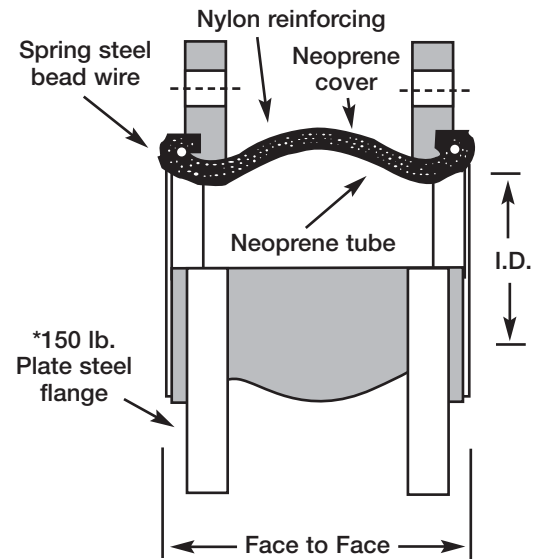


HVAC ACCESSORIES

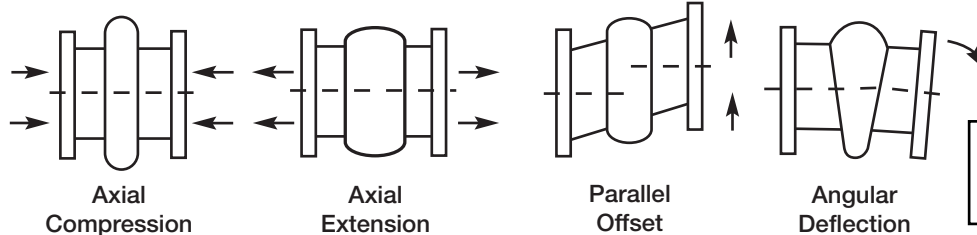
MINNESOTA FLEXIBLE CORPORATION

803 Transfer Road • St. Paul, MN 55114 • Phone 651.645.7522 • Fax 651.645.8259 • Toll Free 800.351.9069

PROJECT	
CUSTOMER	
ENGINEER	
REPRESENTATIVE	
DRAWING #	



MFRS MOVEMENTS



PSI Ratings Based on 110° F Neoprene, 125° F EPDM

Nominal Pipe Size	Neutral Length	Axial Compression	Axial Extension	Lateral Deflection (inches)	Angular Deflection (degrees)	Pressure Rating	Vacuum Rating	Weight
1.5	6	.50	.375	.50	15	214	26	6
2	6	.50	.375	.50	15	214	26	12.5
2.5	6	.50	.375	.50	15	214	26	12.5
3	6	.625	.375	.50	15	214	26	14
4	6	.625	.375	.50	15	214	26	18.5
5	6	.625	.375	.50	15	214	26	23
6	6	.625	.375	.50	15	214	26	27
8	6	.625	.375	.50	15	214	26	41
10	8	.75	.50	.75	15	214	26	57
12	8	.75	.50	.75	15	214	26	83
14	8	.75	.50	.75	15	114	26	115
16	8	.75	.50	.75	15	114	26	165
18	8	.75	.50	.75	15	114	26	168
20	8	.75	.50	.75	15	114	26	170
24	10	.75	.50	.75	15	114	26	255

MFRS - SINGLE SPHERE - FLANGED