



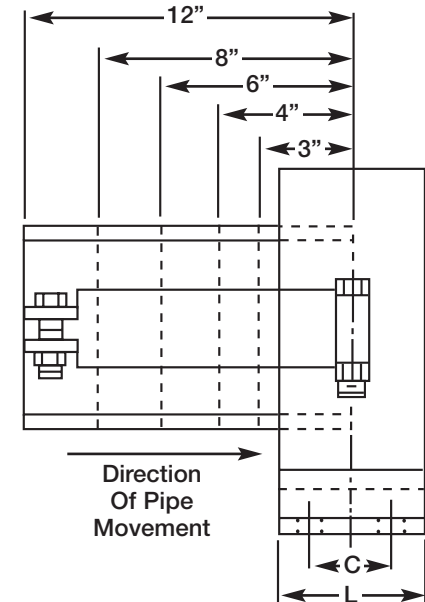
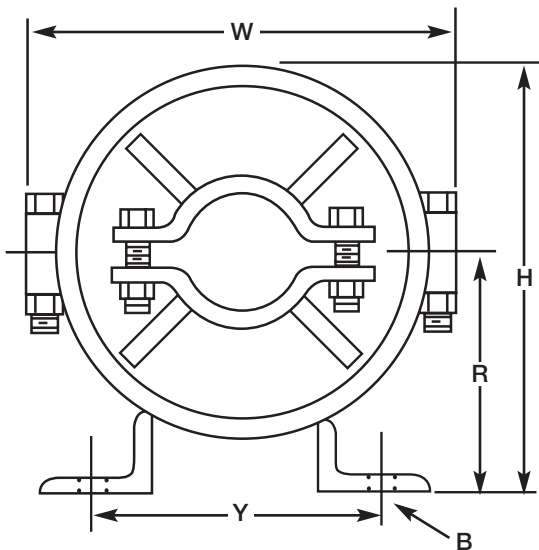
HVAC ACCESSORIES

MINNESOTA

FLEXIBLE CORPORATION

803 Transfer Road · St. Paul, MN 55114 · Phone 651.645.7522 · Fax 651.645.8259 · Toll Free 800.351.9069

PROJECT	
CUSTOMER	
ENGINEER	
REPRESENTATIVE	
DRAWING #	



Body No.	Physical Dimensions (Inches)							Approx. Weight (lbs.)
	H	R	W	Y	B	C	L	
04	5.75	3.5	5.875	4.25	.625	1.75	3	6
05	6.75	4	7	4.5	.625	1.75	3	8
06	7.625	4.375	8	5.25	.625	1.75	3	10
08	9.5	5.25	10.375	6.25	.625	1.75	3	13
10	11.625	6.25	12.5	7.25	.625	2.75	4	20
12	13.625	7.25	14.5	8.25	.625	2.75	4	25
14	15	8	15.75	10	.75	4	6	40
16	17	9	17.75	11	.75	4	6	45
18	18.75	9.75	20.125	12	.75	4	6	55
20	21.125	10.875	22.125	11.5	.75	4	6	65
22	23.125	12.125	24.125	14.5	.875	6	8	95
24	25	13	26.625	15.5	.875	6	8	115
26	27.75	14.75	28.625	17.5	1.125	6	8	135
30	31.5	16.5	32.625	19.5	1.125	6	8	150

PIPE GUIDES